







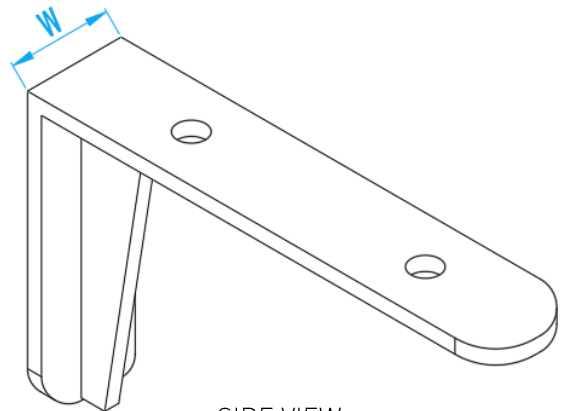
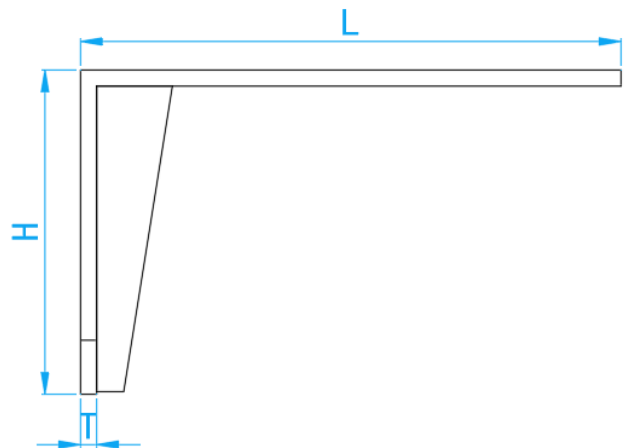


STAINLESS STEEL 304 END TRUST BRACKET

 MANUAL	 ELECTRIC	 Fl Thread	 COMPRESSION
 FLANGE	 RINSED	 BASIN	 SINK



SIDE VIEW



TOP VIEW

COMPONENT PARTS

MATERIAL	AISI304
----------	---------

DIMENSIONS

SKU	L (mm)	W (mm)	THICKNESS (mm)	H (mm)	WEIGHT (kg)	PCS/CTN
SS304ETB120X200X6	200	40	6	120	0.610	40
SS304ETB150X200X6	200	40	6	150	0.710	30
SS304ETB150X200X8	200	40	8	150	0.950	20
SS304ETB200X280X6	280	40	6	200	1.000	20
SS304ETB200X300X6	300	40	6	200	-	-